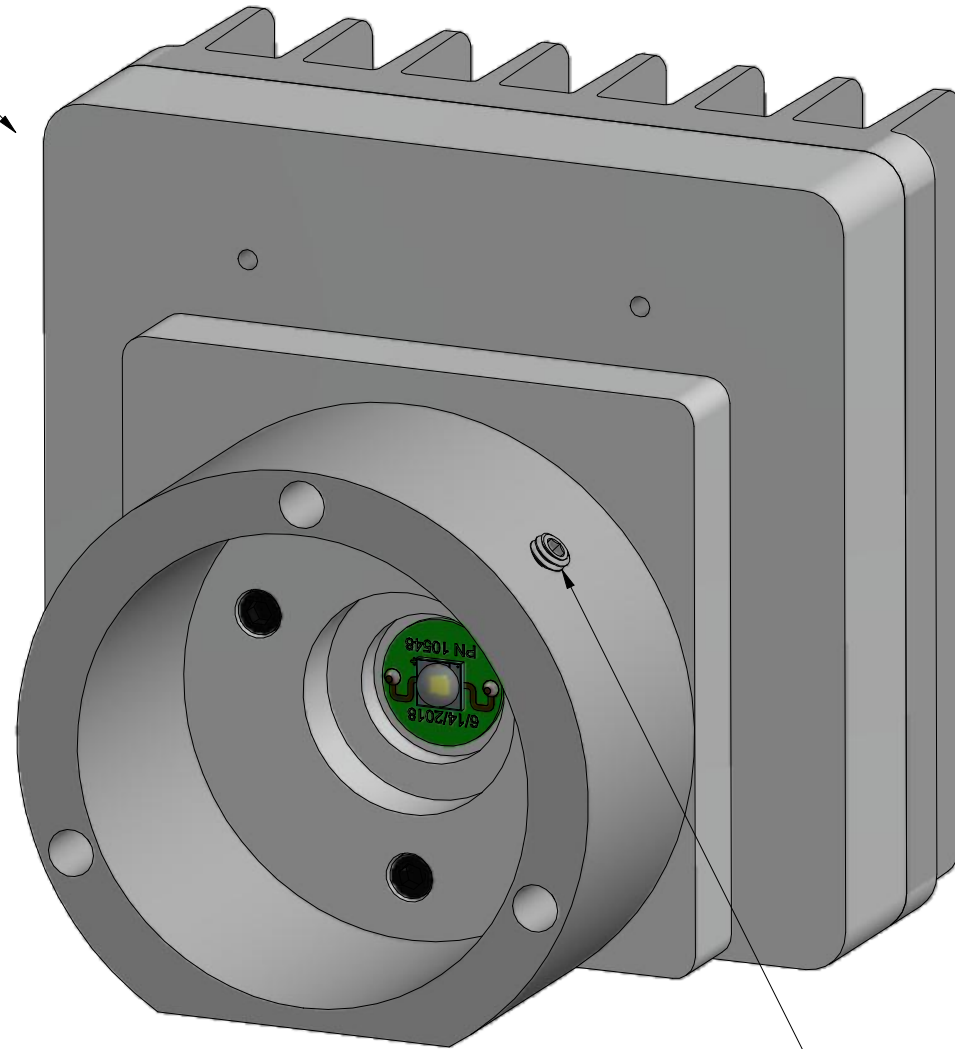


Nanodyne Replacement Illuminator for Nikon Epiphot: Included Items

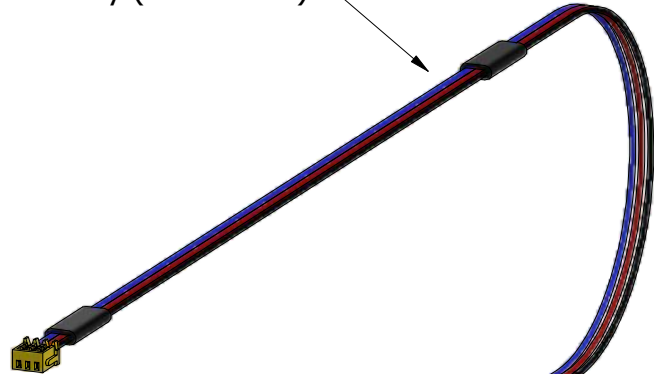
Additional Items Included But Not Shown:

- PN 10399 Hex Key 5mm (to remove bottom cover)
- PN 10457 Hex Key 2.5mm (for pot knob)
- PN 10490 Hex Key 5/64 (for 8-32 set screw)

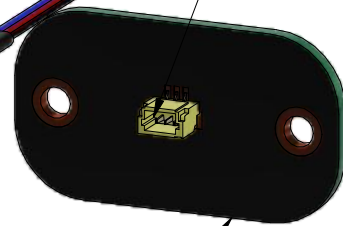
PN 10463 Nikon Diaphot Illuminator Assy - Remote Pot



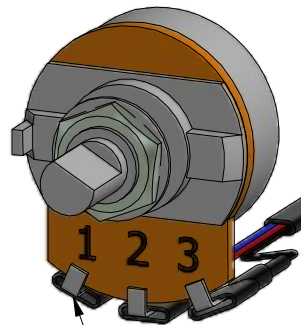
PN 10937 Pot Cable Assy (24 in cable)



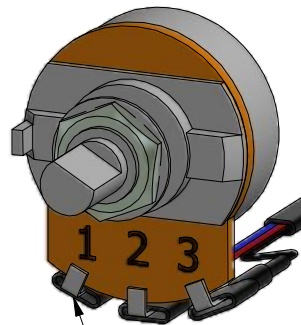
PN 10929 Header 3POS 1mm Top Entry



PN 11414 Nikon Epiphot Pot Plate

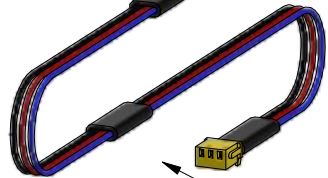


PN 10213 Pot - Shortened 5mm (8mm bushing / 15mm shaft / 6mm diameter)



PN 10467 Set Screw 8-32 brass tip (for mounting the illuminator)

PN 11002 Pot Cable Assy (6 in cable)



PN 11476 Obsolete AC Power Plate



PN 11163 Power Supply 5V 2.1A and PN 10734 Power Cable 1.35mm ID/3.5mm OD x USB A 6 ft.

The illuminator may be powered by plugging the cable into the power supply provided, or into a suitable USB port on a computer or other device.

Power supplies are subject to substitution without notice due to availability issues and changes in regulations.



Tape to secure wires.

Han-Seung Yang 7/31/2019	
PN 11478 Nikon Epiphot Illuminator System	REV 1
SHEET 1 OF 1	